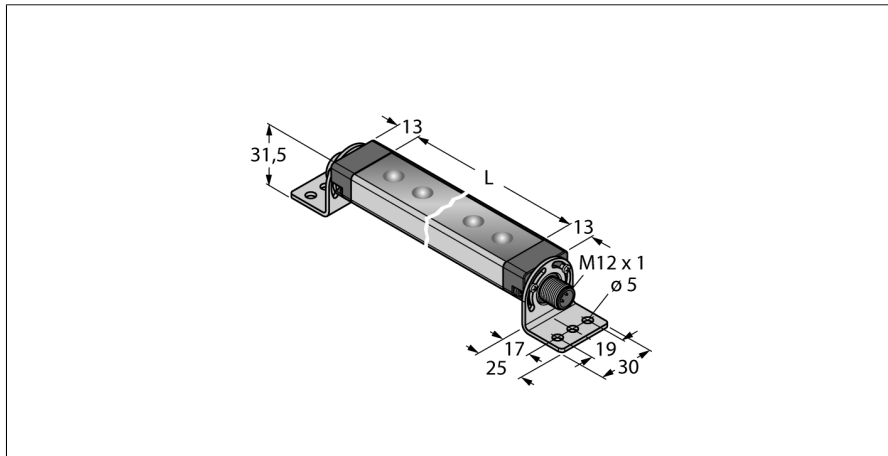


work light
linear light
WLS28CW145XQ

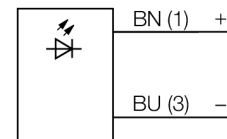
TURCK

Industrial
Automation



- Cascadable
- Light length: 145 mm
- Operating voltage: 12...30 VDC
- Protection class: IP50
- Color, cold white
- M12 x 1 connector
- Mounting bracket included in delivery

Wiring diagram



Type code	WLS28CW145XQ
Ident no.	3014820

Design	rectangular
Dimensions	175x 28x 21 mm
Housing material	metal, AL
Window material	Acrylic, clear
Connection	male, M12 x 1, 4-wire
Service life hours	50000 h
Protection class	IP50
Ambient temperature	-20...+50 °C
Storage temperature	-40...+85 °C
Relative humidity	≤ 90 %

Operating voltage	12...30VDC
DC rated operational current	≤ 500 mA
Input power	6 W

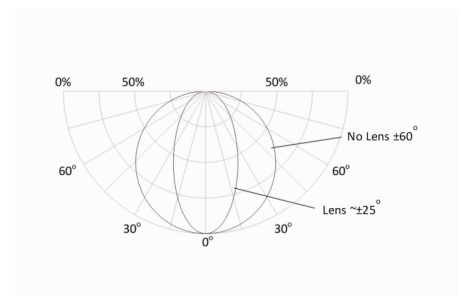
Light type	white
Color temperature	5000...8300K
Luminous flux lumen	225 lm
Aperture angle degree	60 °

Functional principle

The energy-efficient LED work lights are ideally suited for industrial applications. The color temperature lies in the range of daylight, between 5,000 and 10,000 Kelvin. Depending on the model, the luminous flux may vary between 140 and 1120 lumen. Some work lights are switched on/off via supply power (10...30 VDC) and some types by means of a button directly at the LED lamp.

Luminous flux

The work lights are available with lenses (25 ° aperture angle) and without lenses (60° aperture angle). The diagram shows the luminous flux in relation to the aperture angle:



Wiring accessories

Type code	Ident no.	Description	Dimension drawing
RKC4.4T-2/TEL	6625013	Connection cable, female M12, straight, 4-pin, cable length: 2 m, sheath material: PVC, black; cULus approval; other cable lengths and qualities available, see www.turck.com	
WKC4.4T-2/TEL	6625025	Connection cable, female M12, angled, 4-pin, cable length: 2 m, sheath material: PVC, black; cULus approval; other cable lengths and qualities available, see www.turck.com	