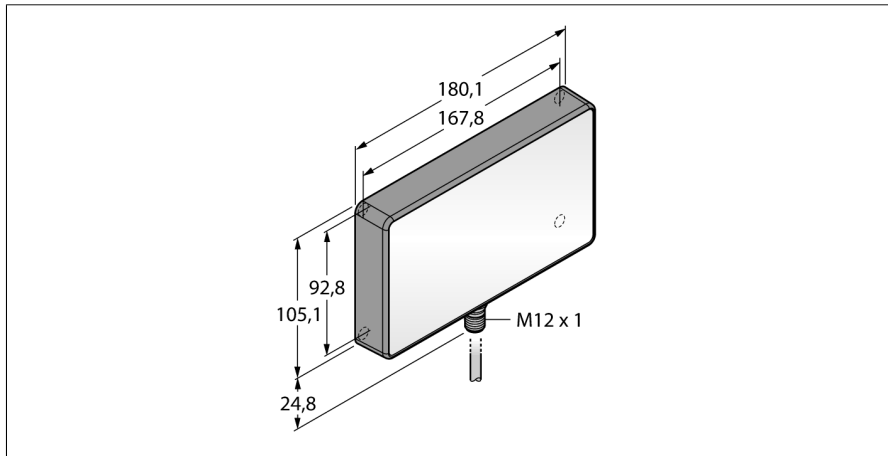


work light
area light
WLAW105X180Q

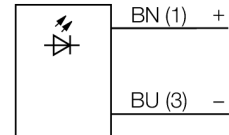
TURCK

Industrial
Automation



- Color, cold white
- M12 x 1 connector

Wiring diagram



Functional principle

The energy-efficient LED work lights are ideally suited for industrial applications. The color temperature lies in the field of daylight, between 5,000 and 10,000 Kelvin. Depending on the model, the luminous flux may vary between 450 and 1800 lumen. The electrical connection is either established via standard M12x1 connector or pigtail directly at the terminal connection of existing installations.

Type code	WLAW105X180Q
Ident no.	3017605
Design	rectangular
Dimensions	105.1 x 80.1 x 25.8 mm
Housing material	plastic, PBT
Window material	Acrylic, clear
Connection	male, M12 x 1, 2-wire
Service life hours	50000 h
Protection class	IP67 / IP69K
Ambient temperature	-20...+50 °C
Storage temperature	-40...+70 °C
Relative humidity	≤ 95 %
Operating voltage	12...30VDC
DC rated operational current	≤ 1000 mA
Input power	12 W
Light type	white
Color temperature	5000...8300K
Luminous flux lumen	550 lm

Wiring accessories

Type code	Ident no.	Description	Dimension drawing
RKC4.4T-2/TEL	6625013	Connection cable, female M12, straight, 4-pin, cable length: 2 m, sheath material: PVC, black; cULus approval; other cable lengths and qualities available, see www.turck.com	
WKC4.4T-2/TEL	6625025	Connection cable, female M12, angled, 4-pin, cable length: 2 m, sheath material: PVC, black; cULus approval; other cable lengths and qualities available, see www.turck.com	