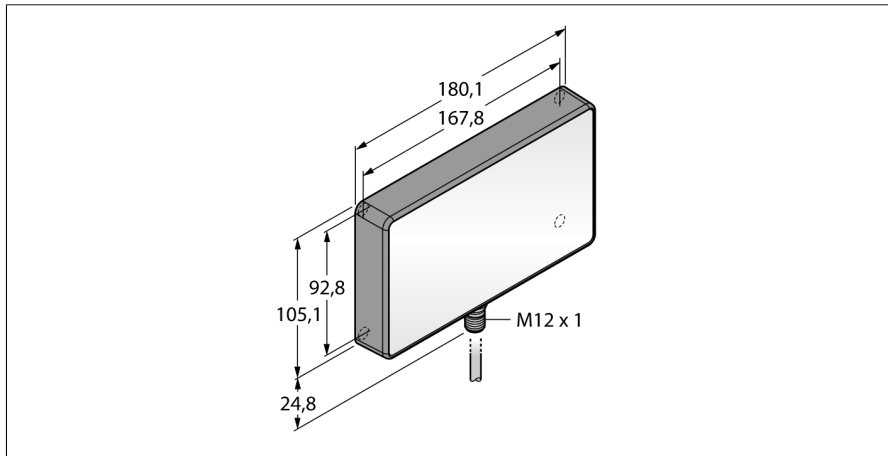


**work light
area light
WLAW105X180**

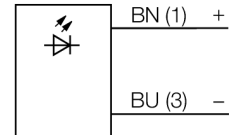
TURCK

Industrial
Automation



- Color, cold white
- Cable, 2m

Wiring diagram



Functional principle

The energy-efficient LED work lights are ideally suited for industrial applications. The color temperature lies in the field of daylight, between 5,000 and 10,000 Kelvin. Depending on the model, the luminous flux may vary between 450 and 1800 lumen. The electrical connection is either established via standard M12x1 connector or pigtail directly at the terminal connection of existing installations.

Type code	WLAW105X180
Ident no.	3017610
Design	rectangular
Dimensions	105.1x 80.1x 25.8 mm
Housing material	plastic, PBT
Window material	Acrylic, clear
Connection	cable, 2-wire
Cable length	2 m
Cable Jacket Material	PVC
Service life hours	50000 h
Protection class	IP67 / IP69K
Ambient temperature	-20...+50 °C
Storage temperature	-40...+70 °C
Relative humidity	≤ 95 %
Operating voltage	12...30VDC
DC rated operational current	≤ 1000 mA
Input power	12 W
Light type	white
Color temperature	5000...8300K
Luminous flux lumen	650 lm