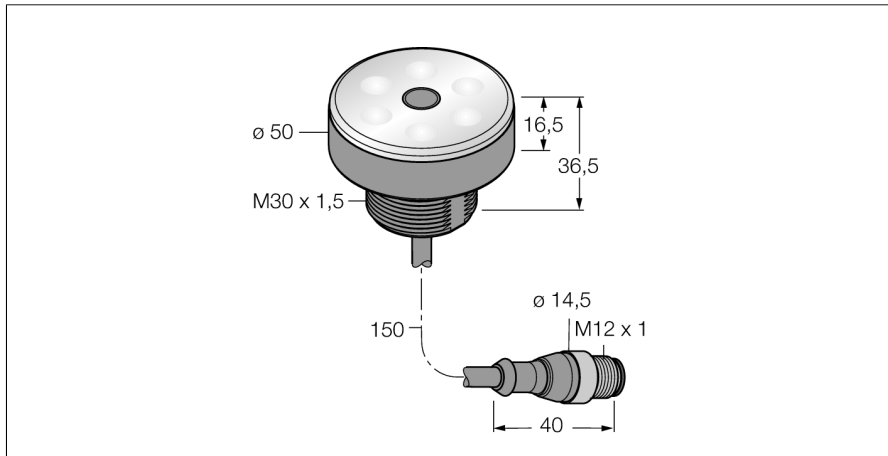


work light
Spotleuchte
WL50PBQP

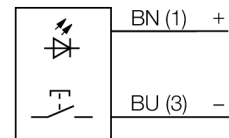
TURCK

Industrial
Automation



- ON/OFF switch
- Operating voltage 12...30 VDC
- Protection classes IP67/IP69K
- Color, cold white
- Pigtail M12 x 1, 0.15 m

Wiring diagram



Functional principle

The energy-efficient LED work lights are ideally suited for industrial applications. The color temperature is between 5,000 and 10,000 K and the typical intensity at a distance of 1 m is 50 lux. Spot lights feature 6 LEDs with a luminous flux of 65 lumen and a total power of < 2 Watt. Some work lights are switched on/off through connecting the power supply (10...30 VDC) and some types by means of a button directly at the LED lamp.

Type code	WL50PBQP
Ident no.	3013487
Design	cylindrical/threaded
Housing material	plastic, PC
Window material	Plastic, clear
Connection	cable with connector, M12 x 1, 2-wire
Cable length	0.15 m
Service life hours	50000 h
Protection class	IP67
Ambient temperature	-40...+50 °C
Storage temperature	-40...+70 °C
Relative humidity	≤ 95 %
Operating voltage	12...30VDC
DC rated operational current	≤ 105 mA
Input power	1.7 W
Light type	white
Color temperature	5000...8300K
Luminous flux lumen	70 lm

Wiring accessories

Type code	Ident no.	Description	Dimension drawing
RKC4.4T-2/TEL	6625013	Connection cable, female M12, straight, 4-pin, cable length: 2 m, sheath material: PVC, black; cULus approval; other cable lengths and qualities available, see www.turck.com	
WKC4.4T-2/TEL	6625025	Connection cable, female M12, angled, 4-pin, cable length: 2 m, sheath material: PVC, black; cULus approval; other cable lengths and qualities available, see www.turck.com	