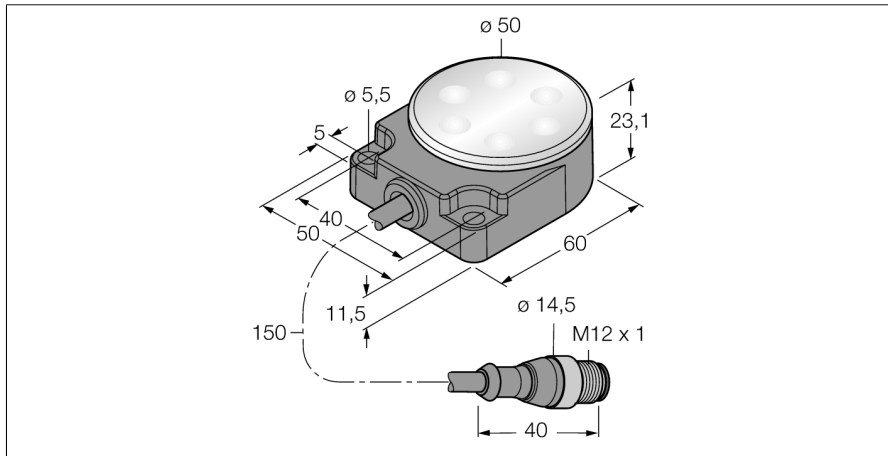


work light
Spotleuchte
WL50FQP

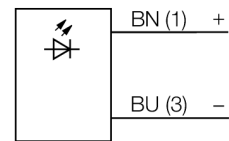
TURCK

Industrial
Automation



- 6 LEDs
- Operating voltage 12...30 VDC
- Max. power consumption 1.7 W
- Protection classes IP67/IP69K
- Color, cold white
- Pigtail M12 x 1, 0.15 m

Wiring diagram



Functional principle

The energy-efficient LED work lights are ideally suited for industrial applications. The color temperature is between 5,000 and 10,000 K and the typical intensity at a distance of 1 m is 50 lux. Spot lights feature 6 LEDs with a luminous flux of 65 lumen and a total power of < 2 Watt. Some work lights are switched on/off through connecting the power supply (10...30 VDC) and some types by means of a button directly at the LED lamp.

Type code	WL50FQP
Ident no.	3010989
Design	rectangular
Dimensions	76x 50x 23.1 mm
Housing material	plastic, PC
Window material	Plastic, clear
Connection	Cable with connector, M12 x 1, 2-wire
Cable length	0.15 m
Service life hours	50000 h
Protection class	IP67 / IP69K
Ambient temperature	-40...+50 °C
Storage temperature	-40...+70 °C
Relative humidity	≤ 95 %
Operating voltage	12...30VDC
DC rated operational current	≤ 105 mA
Input power	1.7 W
Light type	white
Color temperature	5000...8300K
Luminous flux lumen	70 lm

Wiring accessories

Type code	Ident no.	Description	Dimension drawing
RKC4.4T-2/TEL	6625013	Connection cable, female M12, straight, 4-pin, cable length: 2 m, sheath material: PVC, black; cULus approval; other cable lengths and qualities available, see www.turck.com	
WKC4.4T-2/TEL	6625025	Connection cable, female M12, angled, 4-pin, cable length: 2 m, sheath material: PVC, black; cULus approval; other cable lengths and qualities available, see www.turck.com	