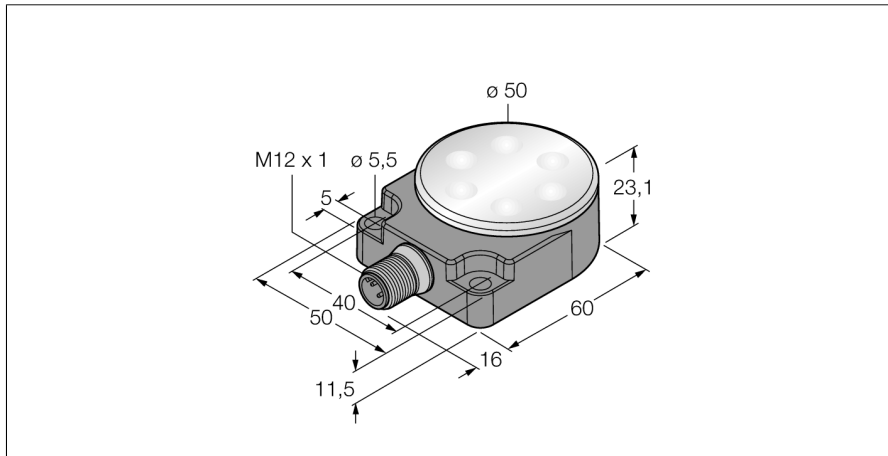


**work light**  
**Spotleuchte**  
**WL50FQ**

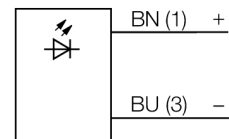
**TURCK**

Industrial  
Automation



- 6 LEDs
- Operating voltage 12...30 VDC
- Max. power consumption 1.7 W
- Protection classes IP67/IP69K
- Color, cold white
- M12 x 1 connector

**Wiring diagram**



<b>Type code</b>	WL50FQ
Ident no.	3010985
<b>Design</b>	rectangular
Dimensions	76x 50x 23.1 mm
Housing material	plastic, PC
Window material	Plastic, clear
Connection	male, M12 x 1, 2-wire
Service life hours	50000 h
Protection class	IP67 / IP69K
Ambient temperature	-40...+50 °C
Storage temperature	-40...+70 °C
Relative humidity	≤ 95 %
<b>Operating voltage</b>	12...30VDC
DC rated operational current	≤ 105 mA
Input power	1.7 W
<b>Light type</b>	white
Color temperature	5000...8300K
Luminous flux lumen	70 lm

**Functional principle**

The energy-efficient LED work lights are ideally suited for industrial applications. The color temperature is between 5,000 and 10,000 K and the typical intensity at a distance of 1 m is 50 lux. Spot lights feature 6 LEDs with a luminous flux of 65 lumen and a total power of < 2 Watt. Some work lights are switched on/off through connecting the power supply (10...30 VDC) and some types by means of a button directly at the LED lamp.

**Wiring accessories**

Type code	Ident no.	Description	Dimension drawing
RKC4.4T-2/TEL	6625013	Connection cable, female M12, straight, 4-pin, cable length: 2 m, sheath material: PVC, black; cULus approval; other cable lengths and qualities available, see <a href="http://www.turck.com">www.turck.com</a>	
WKC4.4T-2/TEL	6625025	Connection cable, female M12, angled, 4-pin, cable length: 2 m, sheath material: PVC, black; cULus approval; other cable lengths and qualities available, see <a href="http://www.turck.com">www.turck.com</a>	