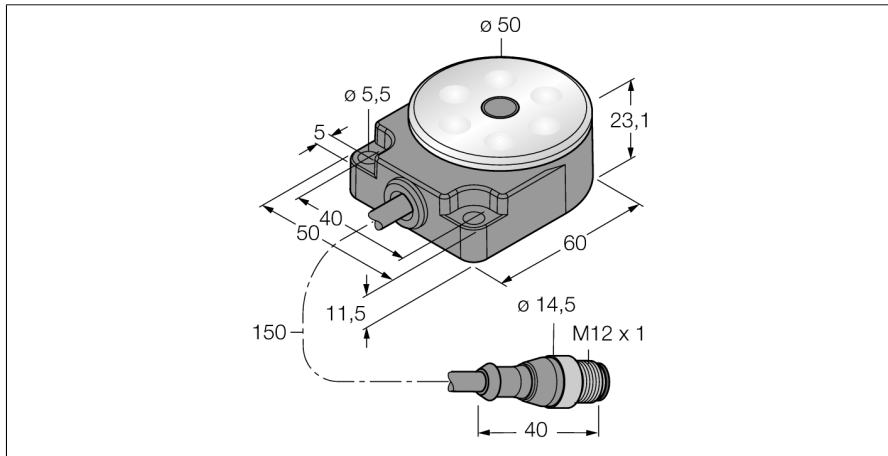


work light
Spotleuchte
WL50FPBQP

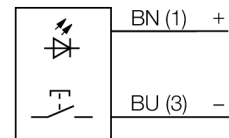
TURCK

Industrial
Automation



- ON/OFF switch
- Operating voltage 12...30 VDC
- Protection classes IP67/IP69K
- Color, cold white
- Pigtail M12 x 1, 0.15 m

Wiring diagram



Functional principle

The energy-efficient LED work lights are ideally suited for industrial applications. The color temperature is between 5,000 and 10,000 K and the typical intensity at a distance of 1 m is 50 lux. Spot lights feature 6 LEDs with a luminous flux of 65 lumen and a total power of < 2 Watt. Some work lights are switched on/off through connecting the power supply (10...30 VDC) and some types by means of a button directly at the LED lamp.

| | |
|------------------------------|---------------------------------------|
| Type code | WL50FPBQP |
| Ident no. | 3011627 |
| Design | rectangular |
| Dimensions | 76x 50x 23.1 mm |
| Housing material | plastic, PC |
| Window material | Plastic, clear |
| Connection | cable with connector, M12 x 1, 2-wire |
| Cable length | 0.15 m |
| Service life hours | 50000 h |
| Protection class | IP67 |
| Ambient temperature | -40...+50 °C |
| Storage temperature | -40...+70 °C |
| Relative humidity | ≤ 95 % |
| Operating voltage | 12...30VDC |
| DC rated operational current | ≤ 105 mA |
| Input power | 1.7 W |
| Light type | white |
| Color temperature | 5000...8300K |
| Luminous flux lumen | 70 lm |

Wiring accessories

| Type code | Ident no. | Description | Dimension drawing |
|---------------|-----------|--|-------------------|
| RKC4.4T-2/TEL | 6625013 | Connection cable, female M12, straight, 4-pin, cable length: 2 m, sheath material: PVC, black; cULus approval; other cable lengths and qualities available, see www.turck.com | |
| WKC4.4T-2/TEL | 6625025 | Connection cable, female M12, angled, 4-pin, cable length: 2 m, sheath material: PVC, black; cULus approval; other cable lengths and qualities available, see www.turck.com | |