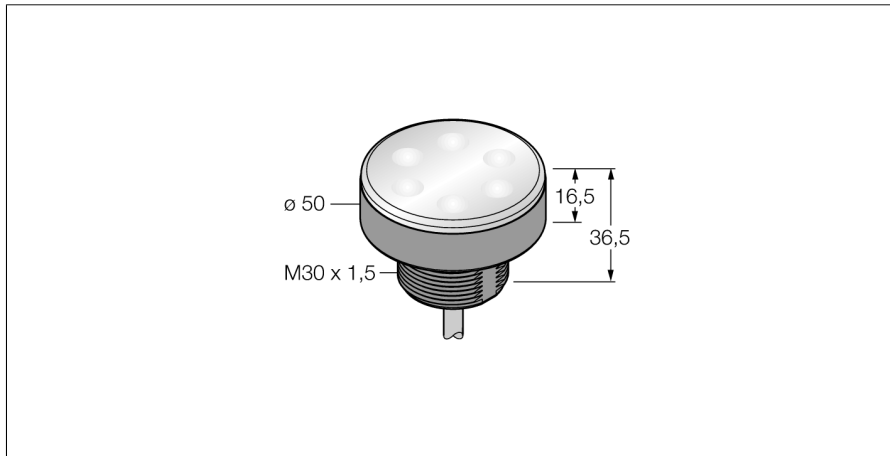


**work light**  
**Spotleuchte**  
**WL50**

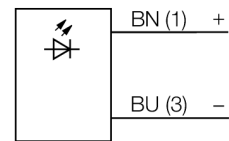
**TURCK**

Industrial  
Automation



- 6 LEDs
- Operating voltage 12...30 VDC
- Max. power consumption 1.7 W
- Protection classes IP67/IP69K
- Color, cold white
- Cable, 2m

**Wiring diagram**



**Functional principle**

The energy-efficient LED work lights are ideally suited for industrial applications. The color temperature is between 5,000 and 10,000 K and the typical intensity at a distance of 1 m is 50 lux. Spot lights feature 6 LEDs with a luminous flux of 65 lumen and a total power of < 2 Watt. Some work lights are switched on/off through connecting the power supply (10...30 VDC) and some types by means of a button directly at the LED lamp.

<b>Type code</b>	WL50
Ident no.	3013481
<b>Design</b>	
Housing material	cylindrical/threaded plastic, PC
Window material	Plastic, clear
Connection	cable, 2-wire
Cable length	2 m
Cable Jacket Material	PVC
Service life hours	50000 h
Protection class	IP67 / IP69K
Ambient temperature	-40...+50 °C
Storage temperature	-40...+70 °C
Relative humidity	≤ 95 %
<b>Operating voltage</b>	
DC rated operational current	12...30VDC
Input power	≤ 105 mA
	1.7 W
<b>Light type</b>	
Color temperature	white
Luminous flux lumen	5000...8300K
	70 lm