

1) Teach reference image 2) Power 3) Output 1 active 4) Output 2 active 5) Connection with PC 6) Sharpness

- BVS-E Standard
- Series OI
- Focal distance 12.0 mm
- LED, red light



General attributes

Adjuster	Key (1x) Adjusting ring (1x)
Approvals / Conformity	cULus CE
Basic standard	IEC 60947-5-2 EN 62471:2008
Duration of time function	Impulse 1...1000 ms or infinite Delay 0...1000 ms
Enclosure Type per IEC 60529	IP54
Indicator	Connection with PC - LED GN Power - LED GN Output 2 active - LED OG Output 1 active - LED OG
Input function	Trigger Program selection
No. of charac. per inspec. max	255
Number of inspections max.	20
Polarity reversal protected	yes
Series	Series OI
Setting	Image sharpness Teach-in reference image
Short circuit protected	yes
Time function	Single pulse Turn-on and -off delay

Connector type

M12x1-S115
M12x1, 4 pole, D-coded
1000 mm
GD-AL, ABS
Length 1
51.5 mm
Length 2
40.0 mm
Length 3
70.0 mm
Mounting type
Screw M4
Near working distance Wl
50 mm
Sensing face material
PMMA
Style
Block, 90° connection
Surface protection
Painted
Working range
50...1000 mm

Optical attributes

Detection rate typ.	3...15 Hz
Field of view max.	320 x 240 mm
Field of view min.	16 x 12 mm
Image resolution max.	VGA 640 x 480 Pixel
LED group acc. IEC 62471	Exempt group
Lens	Focal distance 12.0 mm
Light type	LED, red light
Optical special feature	Incid. light, can be disabled
Principle of optical operation	CMOS image sensor black-white
Wavelength	630 nm

Electrical attributes

Auxiliary output	Trigger output NPN (TTL)
Connection type	Connector
Eff. operating current Ie	100 mA
Eff. operating voltage Ue DC	24.0 V
Interface	Ethernet 10/100 Base T
No-load current max. Io at Ue	200 mA
Operating voltage UB max. DC [V]	26.0 V
Operating voltage UB min. DC [V]	22.0 V
Ripple max. (% of Ue)	10 %
Switching function	NO
Switching output	NPN (3x)
Voltage drop Ud max. (at Ie)	1.8 V

Remarks

Detection rate is dependent on the evaluation function.
Do not use sensor where object is exposed to strong ambient light.
Use of external illumination recommended for working distances greater than 300 mm.
Only for NFPA 79 applications (machines with a supply voltage of maximum 600 volts).
Appropriate connectors can be obtained from Balluff.
When not in use, protect interface plug from penetration by dust and liquids. Protective cap is included in the scope of delivery.
For additional information, refer to user's guide.
Order accessories separately.
Do not press key using a pointed tool.

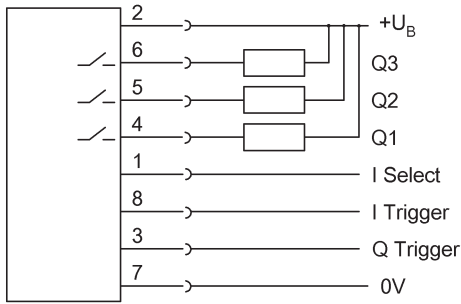
For further information on MTTf/B10d, please refer to the MTTf / B10d Certificate.

Mechanical attributes

Ambient temperature Ta max.	55 °C
Ambient temperature Ta min.	-10 °C

Specification of the MTTf value and the B10d value do not represent any binding quality and/or life expectancy guarantees.

Conn. "PWR IO"



Conn. "To PC"

