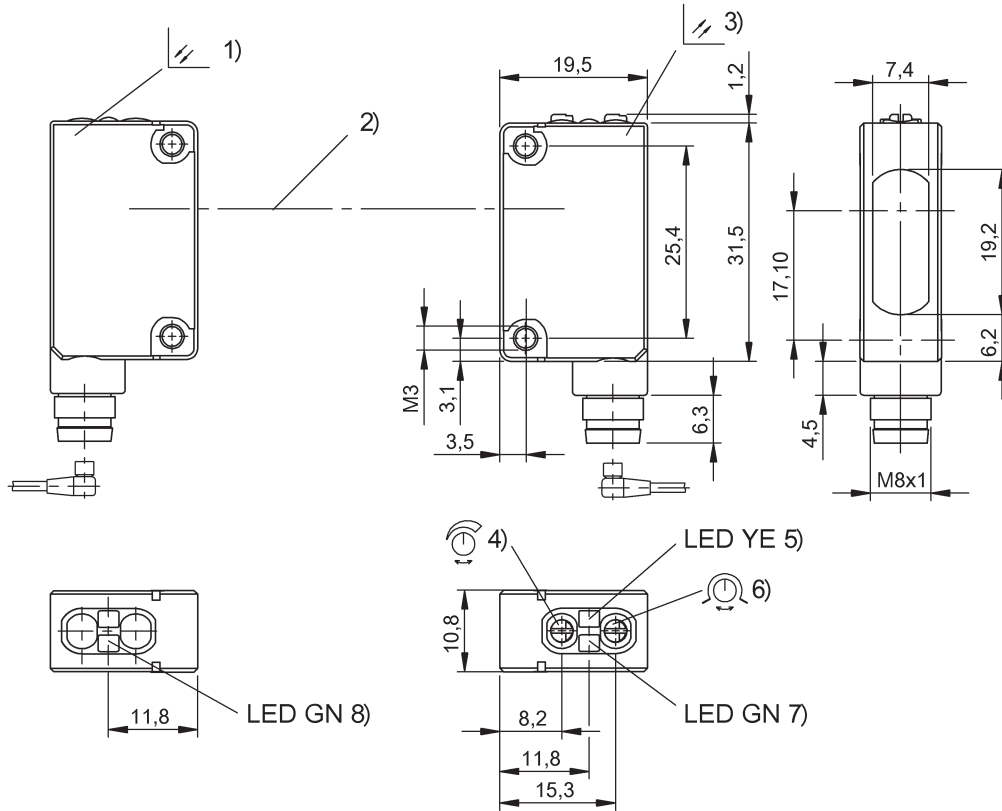


LASER CLASS 1 per IEC 60825-1:
2003-10



1) Emitter 2) Optical axis 3) Receiver 4) Sensitivity 5) Output function 6) Light-on / Dark-on 7) Stability 8) Power

- Photoelectric sensor
- Series 5K
- Laser red light
- up to 50 m



General attributes

Adjuster Potentiometer 270° (2x)
Approvals / Conformity CE
cULus
CDRH
Basic standard IEC 60947-5-2
Enclosure Type per IEC 60529 IP67
Indicator Stability - LED GN
Output function - LED YE
Power - LED GN
Polarity reversal protected yes
Series Series 5K
Setting Sensitivity (Sn)
Light-on/dark-on
Short circuit protected yes
Trademark GLOBAL

Electrical attributes

Connection type Connector
Eff. operating current Ie 100 mA
Eff. operating voltage Ue DC 24.0 V
Electrical version DC, direct current
No-load current max. Io at Ue 45 mA
Operating voltage UB max. DC [V] 30.0 V
Operating voltage UB min. DC [V] 10.0 V
Ripple max. (% of Ue) 10 %
Switching freq. f max. (at Ue) 2000 Hz

Switching function NO/NC
Switching output PNP (1x)
Turn on time ton max. 0.25 ms
Voltage drop Ud max. (at Ie) 1.5 V

Mechanical attributes

Ambient temperature Ta max. 55 °C
Ambient temperature Ta min. -10 °C
Connector type M8x1-S75
Eff. operating distance Sr 30000 mm
Housing material PC, PBT
Length 1 10.8 mm
Length 2 19.5 mm
Length 3 43.5 mm
Mounting type Screw M3
Operating range Ro 0...30 m
Range Sn Sn = 30 m, adjustable
Sensing face material PMMA
Style Block, 90° connection
Tightening torque max. 0.5 Nm

Optical attributes

Ambient light max. 5,000 Lux
Average power Po max. < 390 µW (IEC 60825-1)
Laser Class per IEC 60825-1 1
Light spot size, typical Ø5 mm at 3 m
Light type Laser red light

Principle of optical operation
Switching function, optical
Wavelength

Through-beam
NO/NC: dark-on/light-on
650 nm

Additional text

Operating object (test target): Gray card, 200 x 200, lateral approach
Only for NFPA 79 applications (machines with a supply voltage of maximum 600 volts).
Device shall be connected only by using any R/C (CYJV2) cord, having suitable ratings.
For additional information, refer to user's guide.
Order accessories separately.
For use as UL listed product the Ambient temperature T_a max. may not exceed the value of 50°C.
To meet EMC requirements according EN 60947-5-2 the mounting bracket must not be grounded.

