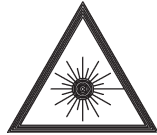
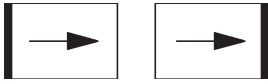


Photoelectric sensor

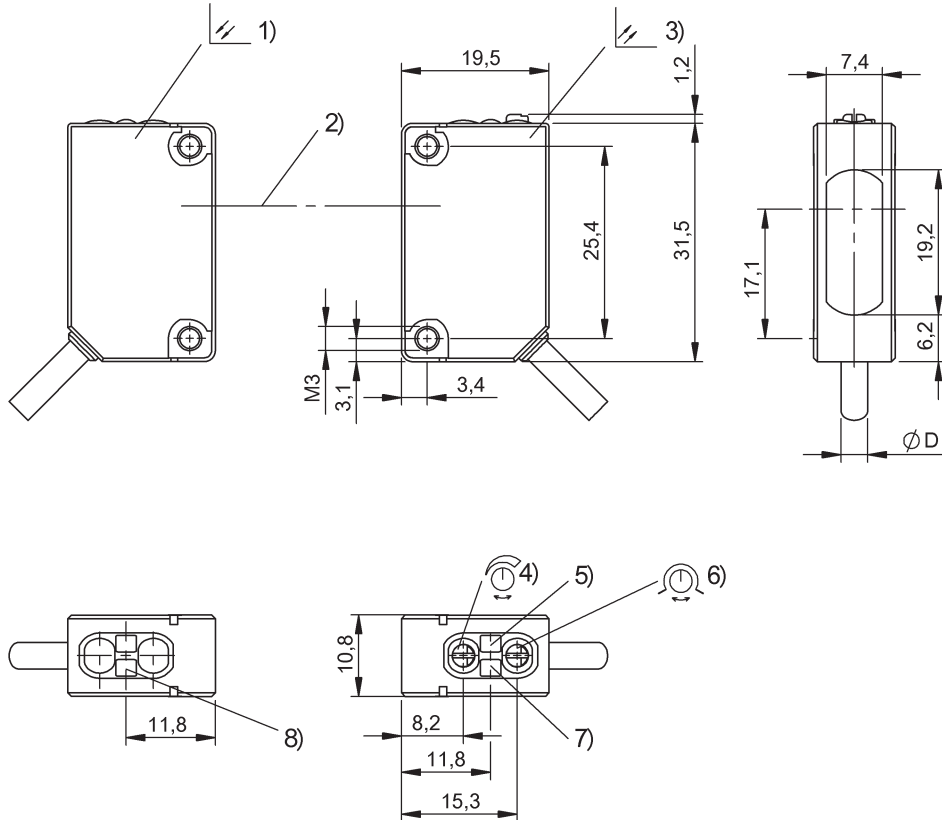
BOS 5K-PU-LX10-02
BOS01JM

BALLUFF

sensors worldwide



LASER CLASS 1 per IEC 60825-1:
2003-10



1) Emitter 2) Optical axis 3) Receiver 4) Sensitivity 5) Output function 6) Light-on / Dark-on 7) Stability 8) Power

- Photoelectric sensor
- Series 5K
- Laser red light
- up to 50 m



General attributes

Adjuster Potentiometer 270° (2x)
 Approvals / Conformity CE
 cULus
 CDRH
 Basic standard IEC 60947-5-2
 Enclosure Type per IEC 60529 IP67
 Indicator Stability - LED GN
 Power - LED GN
 Output function - LED YE
 Polarity reversal protected yes
 Series Series 5K
 Setting Sensitivity (Sn)
 Light-on/dark-on
 Short circuit protected yes
 Trademark GLOBAL

Electrical attributes

Connection type Cable
 Eff. operating current Ie 100 mA
 Eff. operating voltage Ue DC 24.0 V
 Electrical version DC, direct current
 No-load current max. Io at Ue 45 mA
 Operating voltage UB max. DC [V] 30.0 V
 Operating voltage UB min. DC [V] 10.0 V
 Ripple max. (% of Ue) 10 %
 Switching freq. f max. (at Ue) 2000 Hz

Switching function NO/NC
 Switching output PNP (1x)
 Turn on time ton max. 0.25 ms
 Voltage drop Ud max. (at Ie) 1.5 V

Mechanical attributes

Ambient temperature Ta max. 55 °C
 Ambient temperature Ta min. -10 °C
 Cable diameter D max. 3.5 mm
 Cable jacket material PVC
 Cable length 2.00 m
 Conductor cross-section 0.20 mm²
 Eff. operating distance Sr 30000 mm
 Housing material PC, PBT
 Length 1 10.8 mm
 Length 2 19.5 mm
 Length 3 26.8 mm
 Mounting type Screw M3
 Number of conductors 2
 3
 Operating range Ro 0...30 m
 Range Sn Sn = 30 m, adjustable
 Sensing face material PMMA
 Style Block, 45° connection
 Tightening torque max. 0.5 Nm

Internet www.balluff.com
 Balluff Germany +49 (0) 7158 173-0, 173-370
 Balluff USA 1-800-543-8390
 Balluff China +86 (0) 21-50 644131

For definitions of terms, see main catalog
 Subject to change

BOS01JM_221971_17/10/15

BOS 5K-PU-LX10-02
BOS01JM

Optical attributes

Ambient light max.	5,000 Lux
Average power Po max.	< 390 µW (IEC 60825-1)
Laser Class per IEC 60825-1	1
Light spot size, typical	Ø5 mm at 3 m
Light type	Laser red light
Principle of optical operation	Through-beam
Switching function, optical	NO/NC: dark-on/light-on
Wavelength	650 nm

Additional text

Order accessories separately.
For additional information, refer to user's guide.
Operating object (test target): Gray card, 200 x 200, lateral approach
For use as UL listed product the Ambient temperature Ta max. may not exceed the value of 50°C.
To meet EMC requirements according EN 60947-5-2 the mounting bracket must not be grounded.

