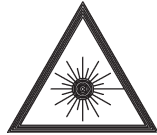
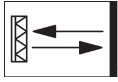


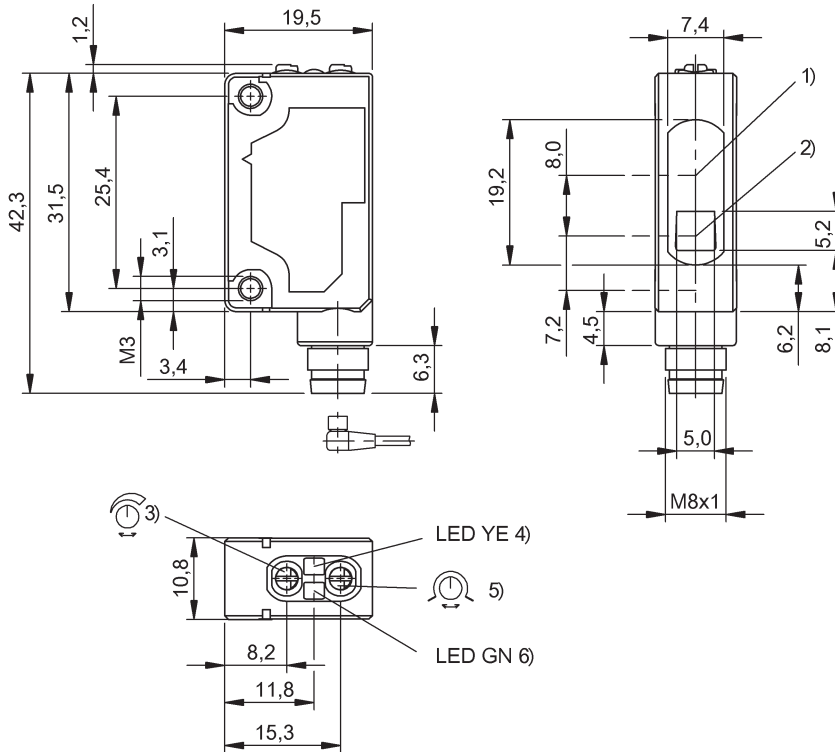
Photoelectric sensor

BOS 5K-PU-LR10-S75
BOS01JW

BALLUFF
sensors worldwide



LASER CLASS 1 per IEC 60825-1:
2003-10



1) Optical axis receiver 2) Optical axis emitter 3) Sensitivity 4) Output function 5) Light-on / Dark-on 6) Stability

- Photoelectric sensor
- Series 5K
- Laser red light
- up to 10 m



General attributes

Adjuster Potentiometer 270° (2x)
Approvals / Conformity cULus
CE
CDRH
Basic standard IEC 60947-5-2
Enclosure Type per IEC 60529 IP67
Indicator Stability - LED GN
Output function - LED YE
Polarity reversal protected yes
Reference reflector BOS R-22
Series Series 5K
Setting Light-on/dark-on
Sensitivity (Sn) Sensitivity (Sn)
Short circuit protected yes
Trademark GLOBAL

Electrical attributes

Connection type Connector
Eff. operating current I_e 100 mA
Eff. operating voltage U_e DC 24.0 V
Electrical version DC, direct current
No-load current max. I_o at U_e 35 mA
Operating voltage U_B max. DC [V] 30.0 V
Operating voltage U_B min. DC [V] 10.0 V
Ripple max. (% of U_e) 10 %
Switching freq. f max. (at U_e) 2000 Hz

Switching function NO/NC
Switching output PNP (1x)
Turn on time t_{on} max. 0.25 ms
Voltage drop U_d max. (at I_e) 1.5 V

Mechanical attributes

Ambient temperature T_a max. 55 °C
Ambient temperature T_a min. -10 °C
Connector type M8x1-S75
Eff. operating distance S_r 10000 mm
Housing material PC, PBT
Length 1 10.8 mm
Length 2 19.5 mm
Length 3 43.5 mm
Mounting type Screw M3
Operating range R_o 0...10 m
Range S_n S_n = 10 m, adjustable
Sensing face material PMMA
Style Block, 90° connection
Tightening torque max. 0.5 Nm

Optical attributes

Ambient light max. 5,000 Lux
Average power P_o max. < 390 μW (IEC 60825-1)
Laser Class per IEC 60825-1 1
Light spot size, typical Ø5 mm at 3 m
Light type Laser red light

Internet
Balluff Germany
Balluff USA
Balluff China

www.balluff.com
+49 (0) 7158 173-0, 173-370
1-800-543-8390
+86 (0) 21-50 644131

For definitions of terms, see main catalog
Subject to change

BOS01JW_221978_21/10/15

1(2)

Photoelectric sensor

BOS 5K-PU-LR10-S75
BOS01JW

Polarizing filter
Principle of optical operation
Switching function, optical
Wavelength

yes
Retro-reflective sensor
NO/NC: dark-on/light-on
650 nm

Additional text

Operating object (test target): Gray card, 200 x 200, 90 % remission, lateral approach,

direction of movement vertical to plane of lens axes.

The sensor is functional again after the overload has been eliminated.

Order accessories separately.

For additional information, refer to user's guide.

Only for NFPA 79 applications (machines with a supply voltage of maximum 600 volts).

Device shall be connected only by using any R/C (CYJV2) cord, having suitable ratings.

Polarizing filters prevent spurious switching due to reflecting and shiny parts.

For use as UL listed product the Ambient temperature T_a max. may not exceed the value of 50°C.

To meet EMC requirements according EN 60947-5-2 the mounting bracket must not be grounded.

