

1) See remarks

- Magnetic field sensor
- Normally open (NO)



General attributes

Basic standard	IEC 60947-5-2
Enclosure Type per IEC 60529	IP67
Function indicator	yes
Polarity reversal protected	yes
Short circuit protected	yes

Electrical attributes

Assured switching field strength	2.0 kA/m
Connection type	Connector
Eff. operating current I _e	200 mA
Eff. operating voltage U _e DC	24.0 V
Electrical version	DC, direct current
Hysteresis H max. (in % of H _n)	45 %
Load capacitance max. (at U _e)	1.00 µF
Max. no-load cur. I _o undamped	10.0 mA
No-load current I _o damped max.	15.0 mA
Operating voltage U _B max. DC [V]	30.0 V
Operating voltage U _B min. DC [V]	10.0 V
Rated insulation voltage U _i	75 DC
Rated short circuit current	100 A
Rated switching field strength	1.2 kA/m
Ripple max. (% of U _e)	15 %
Switching freq. f max. (at U _e)	10000 Hz

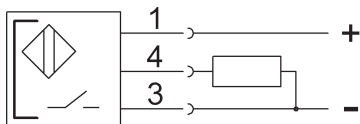
Switching function	Normally open (NO)
Switching output	PNP
Turn on time t _{on} max.	0.05 ms
Voltage drop static max.	2.0 V

Mechanical attributes

Ambient temperature T _a max.	70 °C
Ambient temperature T _a min.	-25 °C
Connector type	M12x1-S04
Depth	50.00 mm
Diameter d1	M12x1.0
Housing material	CuZn
Mounting length	30.0 mm
Sensing face material	PA 12
Temperature drift max. % of H _n	0.3 %
Tightening torque	15.0 Nm

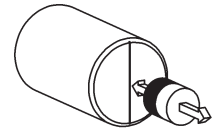
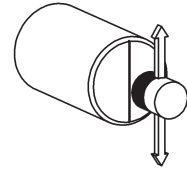
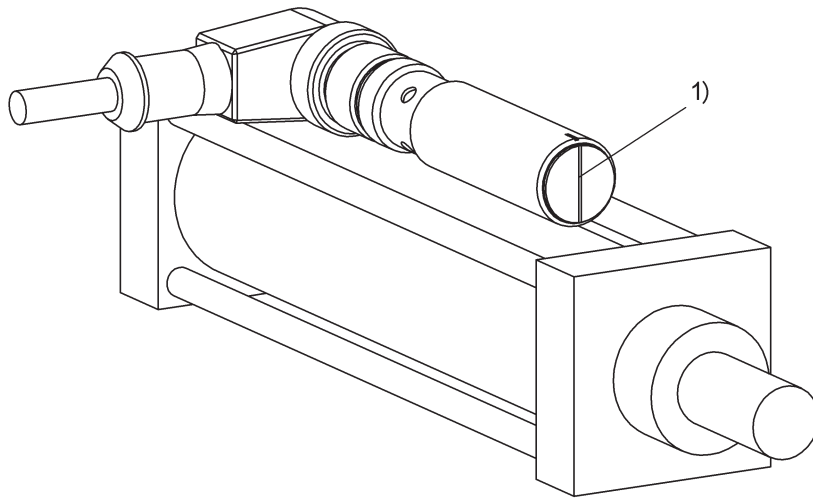
Additional text

1) With the help of the mark at the active surface the sensor in the magnetic field can be aligned.
The switching distance depends on the magnet used. Switching distances of > 20 mm can be achieved.
The sensor is functional again after the overload has been eliminated.



Magnetic field sensor
BMF 12M-PS-C-2-S4
BMF00C7

BALLUFF
sensors worldwide



1) see remarks