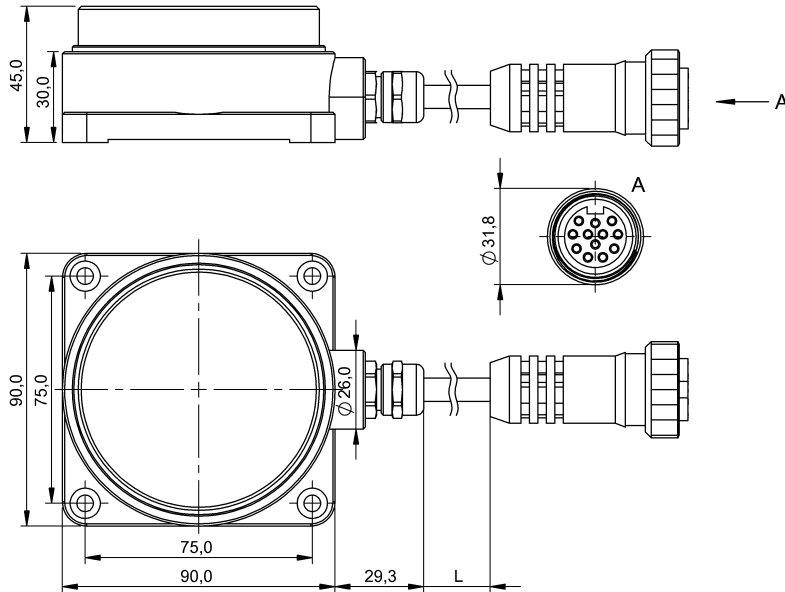


BIC 2I3-P2A30-Q90AA-GPX0B-Z05
Ordering code: BIC0060

Inductive data coupler
90 x 90 x 45 mm

Output signal PNP



Characteristic data

Type	Remote
Working range	4...12 mm
Switching frequency f	60 Hz
Power indicator	Yes
Function indicator	Yes
Short-circuit protected	Yes

Electrical data

Switching output	PNP
Ripple U _a max.	±1.5 V
Current load per output max.	50 mA
Number of inputs	8
Output voltage remote DC	24 V
Output permanent current	300 mA
Stability	EN 61000-4-2/3/4/5/6

Mechanical data

Type of mounting	Non embeddable
Displacement	±7 mm
Connection type	Connector

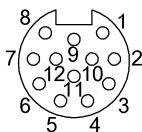
Connector type	7/8"
Cable length	2 m
Cable jacket colour	black
Cable diameter D	7.7
Ambient temperature T _a min.	0 °C
Ambient temperature T _a max.	50 °C
Storage temperature min.	-25 °C
Storage temperature max.	75 °C
Housing material	Al
Sensing surface material	ABS / PBTP
Cable jacket material	PUR
Number of sockets or pins	12

Basic data

Enclosure Type per IEC 60529	IP67
Stability	EN 61000-4-2/3/4/5/6

Remarks

Operate Remote device only with Base devices BIC 1I3-P2A30-Q90AA-GPX0B-... !



PIN 1: brown, PIN 11: light blue, PIN 2: red, PIN 3: orange, PIN 4: yellow, PIN 5: green, PIN 6: blue, PIN 7: violet, PIN 8: green/yellow, PIN 9: n.c., PIN 10: white, PIN 12: black