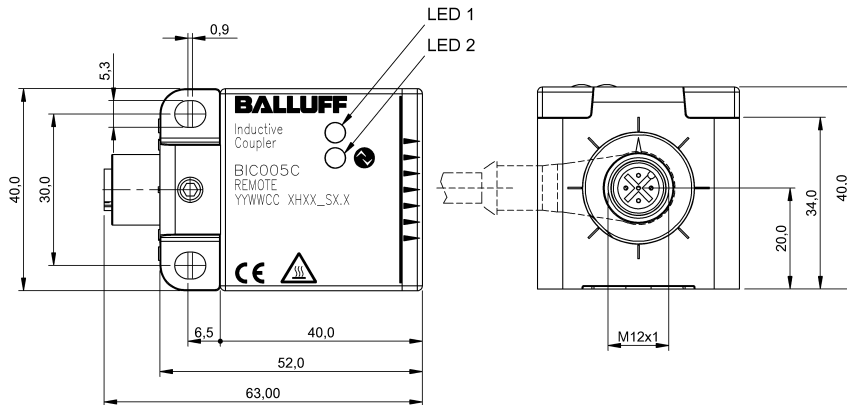


BIC 210-I2A50-Q40KFU-SM4A5A
Ordering code: BIC005C

Inductive data coupler
40 x 40 x 63 mm

BALLUFF
sensors worldwide



Characteristic data

Type	Remote
Working range	0...5 mm
Power indicator	No
Function indicator	Yes
Short-circuit protected	Yes

Electrical data

Transfer rate	COM 2 (38.4 kBaud)
Functionality	Uni IO-Link
Cycle time min.	3 ms
Process data cycle	12 ms at cycle time min.
Output voltage remote DC	24 V
Output permanent current	500 mA
IO-Link revision	1.0
Type of master port	A
Process data out	0
SIO mode	No
Frame type	1
Stability	EN 61000-4-2/3/4/5/6

Mechanical data

Connection type	Connector
Connector type	M12x1
Ambient temperature Ta min.	-5 °C
Ambient temperature Ta max.	55 °C
Storage temperature min.	-25 °C
Storage temperature max.	70 °C
Housing material	PBTP
Sensing surface material	PBTP
Tightening torque pigtail	0,6
Number of sockets or pins	5

Basic data

Enclosure Type per IEC 60529	IP67
Stability	EN 61000-4-2/3/4/5/6
Approvals	CE

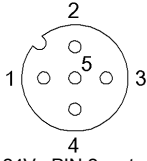
Remarks



BIC 210-I2A50-Q40KFU-SM4A5A
Ordering code: BIC005C

Inductive data coupler
40 x 40 x 63 mm

BALLUFF
sensors worldwide



IO-Link, PIN 1: +24V, PIN 2: not used, PIN 3:
GND, PIN 4: C/Q, IO-Link DC-Channel, PIN 5: not
used