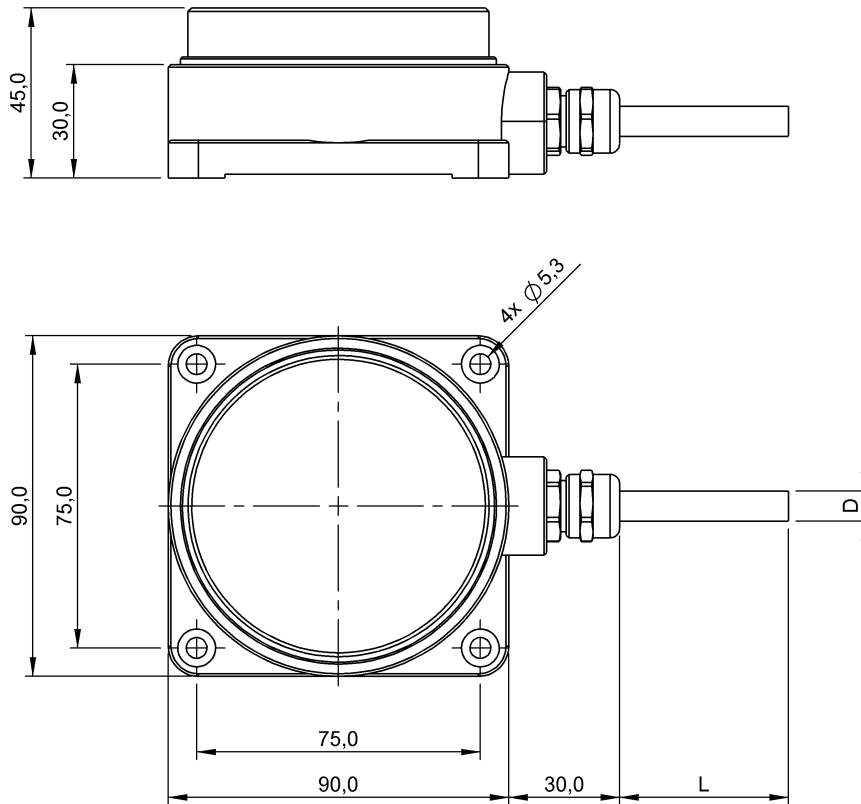


BIC 2B2-P2A30-Q90AQ-GPX0B-050
Ordering code: BIC0039

Inductive data coupler
 90 x 90 x 45 mm



Characteristic data

Type Remote
 Working range 3...10 mm
 Short-circuit protected ja

Electrical data

Ripple U_a max. ± 1.5 V
 Number of inputs 4
 Output voltage remote DC 24 V
 Output permanent current 300 mA
 Signal form 4 inputs+4 outputs digital
 Stability EN 61000-4-2/3/4/5/6
 Number of outputs

Mechanical data

Type of mounting Non embeddable
 Displacement ± 7 mm
 Connection type Cable
 Cable length 5 m
 Cable jacket colour black

Number of conductors 11
 Cable diameter D 7,7
 Conductor cross-section $0.5 \text{ mm}^2 + 0.18 \text{ mm}^2$
 Ambient temperature T_a min. 0°C
 Ambient temperature T_a max. 50°C
 Storage temperature min. -25°C
 Storage temperature max. 75°C
 Housing material Al
 Sensing surface material ABS + PBT
 Cable jacket material PUR

Basic data

Enclosure Type per IEC 60529 IP67
 Stability EN 61000-4-2/3/4/5/6
 Approvals CE

Remarks

Operate Remote device only with Base devices BIC 1B2-P2A30-Q90AQ-GPX0B-... !

BIC 2B2-P2A30-Q90AQ-GPX0B-050
Ordering code: BIC0039

Inductive data coupler
90 x 90 x 45 mm

BALLUFF
sensors worldwide



PNP	WH	+
BIC	Pale BU	-
Remote	BK	In Zone
	BN	IN 1
	RD	IN 2
	OG	IN 3
	YE	IN 4
	GN	OUT 1
	BU	OUT 2
	VT	OUT 3
	GY	OUT 4