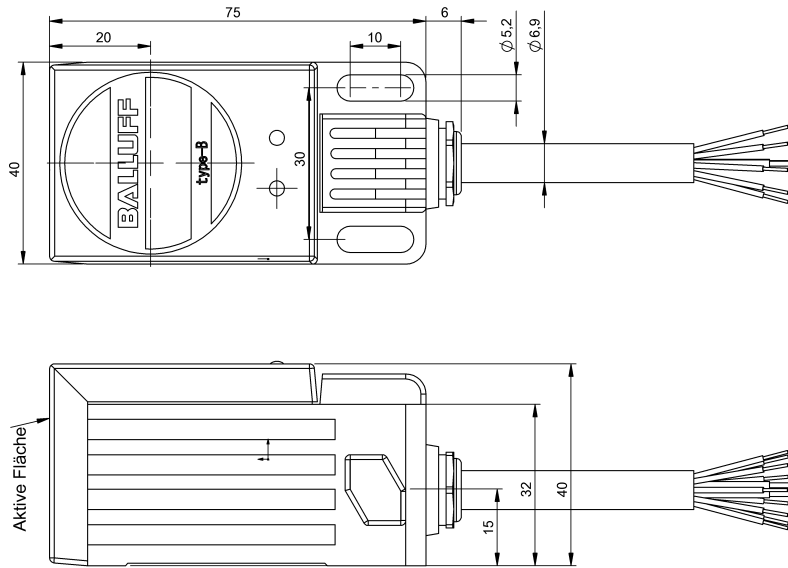


**BIC 113-P2A20-Q40AA-GPX0B-050**  
**Ordering code: BIC0026**

**Inductive data coupler**  
**40 x 40 x 75 mm**

**Output signal PNP**

**BALLUFF**  
*sensors worldwide*



1) LED (in Zone), 2) LED (Power)

**Characteristic data**

Type	Base
Working range	3...8 mm
Switching frequency f	60 Hz
Power indicator	Yes
InZone indicator	Yes
Short-circuit protected	Yes

**Electrical data**

Rated operating voltage Ue DC	24 V
Ripple max. (% of Ue)	±10 %
Switching output	PNP
Rated operating current Ie DC	500 mA
Current load per output max.	50 mA
Number of inputs	9
(BB) Ready	20 ms
Signal form	8 inputs digital

**Mechanical data**

Type of mounting	Non embeddable
Displacement	±3 mm

Connection type	Cable
Cable length	5 m
Cable jacket colour	black
Number of conductors	11
Cable diameter D	6,9
Conductor cross-section	0.5 mm <sup>2</sup>
Ambient temperature Ta min.	0 °C
Ambient temperature Ta max.	50 °C
Storage temperature min.	-25 °C
Storage temperature max.	75 °C
Housing material	Al
Sensing surface material	ABS + PBT
Cable jacket material	PUR

**Basic data**

Enclosure Type per IEC 60529	IP67
Approvals	CE

**Remarks**

Use Base device BIC 113-P2A20-Q40A\_GPX0B-... only with Remote device BIC 213-P2A20-Q40A\_GPX0B-... ! Pay attention to orient the active surface!



**BIC 113-P2A20-Q40AA-GPX0B-050**  
**Ordering code: BIC0026**

**Inductive data coupler**  
**40 x 40 x 75 mm**

**Output signal PNP**

**BALLUFF**  
*sensors worldwide*

PNP	
BIC BASE	WH +
	Pale BU -
	BK
	BN
	RD
	OG
	YE
	GN
	BU
	VT
GY	