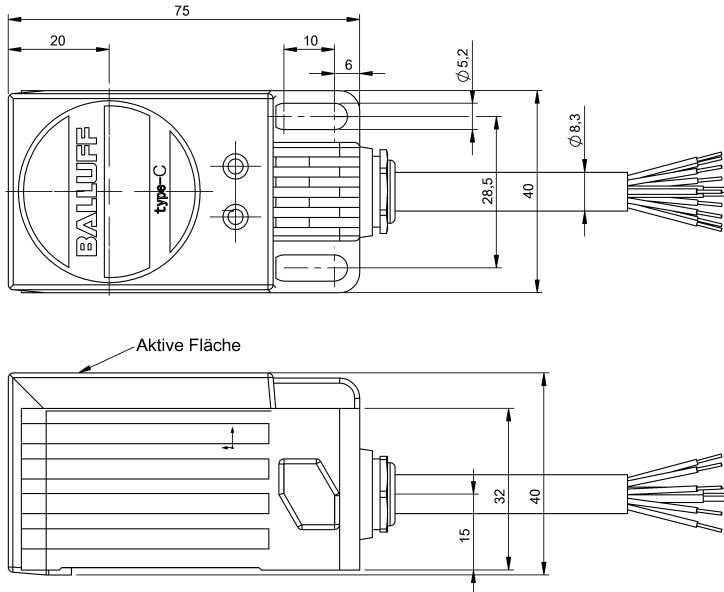


**BIC 2I3-P2A20-Q40AC-GPX0B-050**  
**Ordering code: BIC0022**

**Inductive data coupler**  
**40 x 40 x 75 mm**

**Output signal PNP**

**BALLUFF**  
*sensors worldwide*



**Characteristic data**

Type Remote  
 Working range 3...8 mm

**Electrical data**

Switching output PNP  
 Ripple  $U_a$  max.  $\pm 1.5$  V  
 Number of inputs 8  
 Output voltage remote DC 12 V  
 Output permanent current 200 mA  
 Signal form 8 inputs digital

**Mechanical data**

Type of mounting Non embeddable  
 Displacement  $\pm 3$  mm  
 Connection type Cable  
 Cable length 5 m  
 Cable jacket colour black

Number of conductors 11  
 Cable diameter D 8,3  
 Conductor cross-section  $0.5 \text{ mm}^2$   
 Ambient temperature  $T_a$  min.  $0 \text{ }^\circ\text{C}$   
 Ambient temperature  $T_a$  max.  $50 \text{ }^\circ\text{C}$   
 Storage temperature min.  $-25 \text{ }^\circ\text{C}$   
 Storage temperature max.  $75 \text{ }^\circ\text{C}$   
 Housing material Al  
 Sensing surface material ABS + PBT  
 Cable jacket material PUR

**Basic data**

Enclosure Type per IEC 60529 IP67  
 Approvals CE

**Remarks**

Use Remote device BIC 2I3-P2A20-Q40A\_-GPX0B-... only with Base device BIC 1I3-P2A20-Q40A\_-GPX0B-... ! Pay attention to orient the active surface!



**BIC 2I3-P2A20-Q40AC-GPX0B-050**  
**Ordering code: BIC0022**

**Inductive data coupler**  
**40 x 40 x 75 mm**

**Output signal PNP**

**BALLUFF**  
*sensors worldwide*

