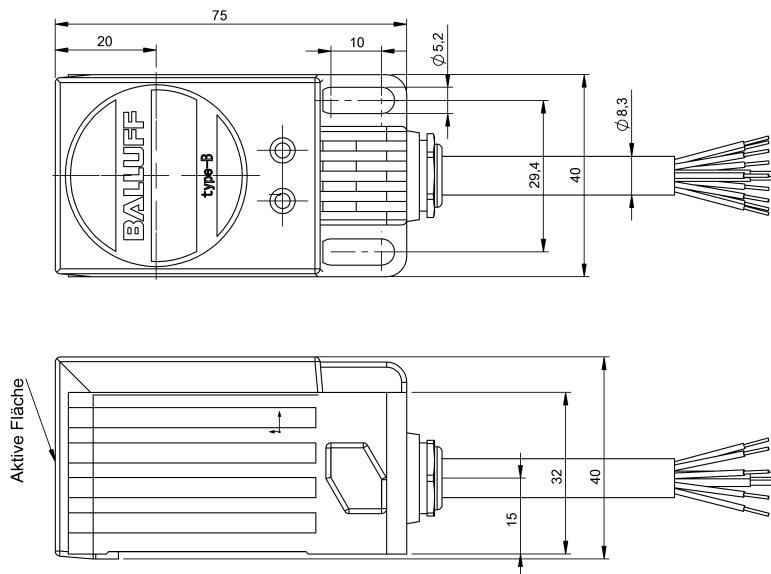


BIC 2I3-P2A20-Q40AA-GPX0B-050
Ordering code: BIC0021

Inductive data coupler
40 x 40 x 75 mm

BALLUFF
sensors worldwide



Characteristic data

Type Remote
Working range 3...8 mm

Electrical data

Ripple U_a max. ± 1.5 V
Number of inputs 8
Output voltage remote DC 12 V
Output permanent current 200 mA
Signal form 8 inputs digital

Mechanical data

Type of mounting Non embeddable
Displacement ± 3 mm
Connection type Cable
Cable length 5 m
Cable jacket colour black
Number of conductors 11

Cable diameter D 8,3
Conductor cross-section 0.5 mm^2
Ambient temperature T_a min. 0°C
Ambient temperature T_a max. 50°C
Storage temperature min. -25°C
Storage temperature max. 75°C
Housing material AI
Sensing surface material ABS + PBT
Cable jacket material PUR

Basic data

Enclosure Type per IEC 60529 IP67
Approvals CE

Remarks

Use Remote device BIC 2I3-P2A20-Q40A_GPX0B-... only with Base device BIC 1I3-P2A20-Q40A_GPX0B-... ! Pay attention to orient the active surface!



BIC 2I3-P2A20-Q40AA-GPX0B-050
Ordering code: BIC0021

Inductive data coupler
40 x 40 x 75 mm

BALLUFF
sensors worldwide

PNP		BK	-
		WH	+
BIC		BU	
Remote	Pale	BN	
		RD	
		OG	
		YE	
		GN	
		BU	
		VT	
		GY	