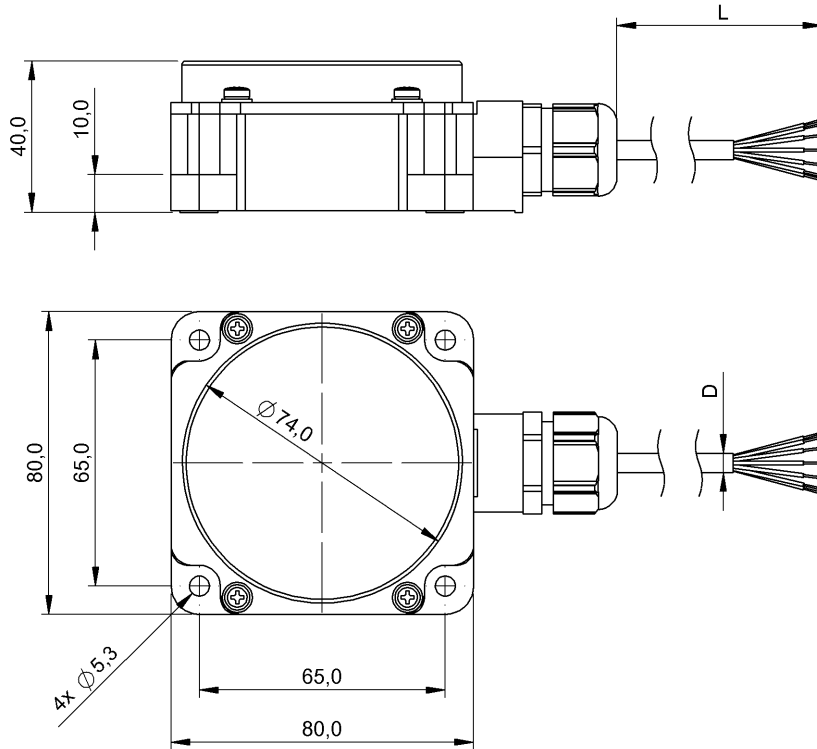


BIC 2I3-P2A05-Q80KA-GPX0C-050
Ordering code: BIC001Y

Inductive data coupler
 80 x 80 x 40 mm



Characteristic data

Type	Remote
Working range	2...15 mm
Power indicator	No
Function indicator	No

Electrical data

Mechanical data

Type of mounting	Non embeddable
Displacement	±8 mm
Connection type	Cable
Cable length	5 m
Cable jacket colour	black
Number of conductors	12
Cable diameter D	8,0

Conductor cross-section	0.18 mm ²
Ambient temperature Ta min.	0 °C
Ambient temperature Ta max.	50 °C
Storage temperature min.	-25 °C
Storage temperature max.	75 °C
Housing material	PBTP
Sensing surface material	PBTP
Cable jacket material	PUR

Basic data

Enclosure Type per IEC 60529	IP67
Approvals	CE

Remarks

Operate Remote devices BIC 2I3-P2A05-Q80KA-GPX0C-... only with Base devices BIC 1I3-P2A05-Q80KA-GPX0C-... !



BIC 2I3-P2A05-Q80KA-GPX0C-050
Ordering code: BIC001Y

Inductive data coupler
80 x 80 x 40 mm

BALLUFF
sensors worldwide

