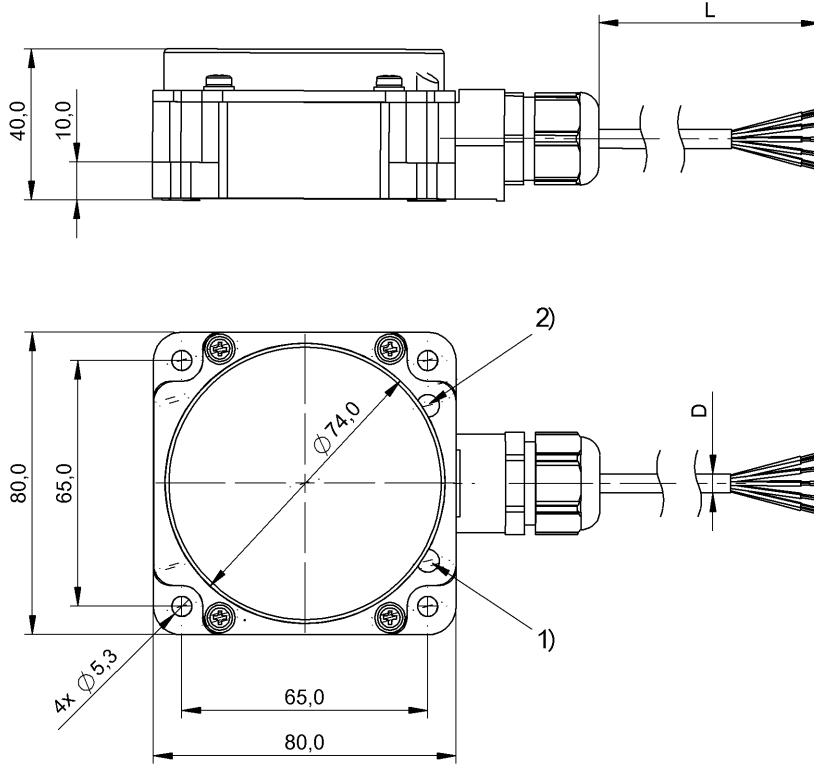


BIC 113-P2A05-Q80KA-GPX0C-050
Ordering code: BIC001J

Inductive data coupler
80 x 80 x 40 mm



1) LED (in Zone), 2) LED (Power)

Characteristic data

Type	Base
Working range	0...15 mm
Switching frequency f	30 Hz
Power indicator	Yes
InZone indicator	Yes
Short-circuit protected	Yes

Electrical data

Rated operating voltage U _e DC	24 V
Ripple max. (% of U _e)	±5 %
Rated operating current I _e DC	950 mA
Current load per output max.	50 mA
(BB) Ready	40 ms
Stability	EN 61000-4-2/3/4/5/6

Mechanical data

Type of mounting	Non embeddable
Connection type	Cable
Cable length	5 m

Cable jacket colour	black
Number of conductors	12
Cable diameter D	8,0
Conductor cross-section	0.18 mm ²
Ambient temperature T _a min.	0 °C
Ambient temperature T _a max.	50 °C
Storage temperature min.	-25 °C
Storage temperature max.	75 °C
Housing material	PETP
Sensing surface material	PBTP
Cable jacket material	PUR

Basic data

Enclosure Type per IEC 60529	IP67
Stability	EN 61000-4-2/3/4/5/6
Approvals	CE

Remarks

Operate Base devices BIC 113-P2A05-Q80KA-GPX0C-... only with Remote devices BIC 213-P2A05-Q80KA-GPX0C-... !

BIC 113-P2A05-Q80KA-GPX0C-050
Ordering code: BIC001J

Inductive data coupler
80 x 80 x 40 mm

BALLUFF
sensors worldwide



PNP BIC BASE	WH +
	PK +
	Pale BU -
	BK In Zone
	BN Out 1
	RD Out 2
	OR Out 3
	YE Out 4
	GN Out 5
	BU Out 6
	VT Out 7
	GY Out 8

113-P2A05-Q80KA-GPX0C-050