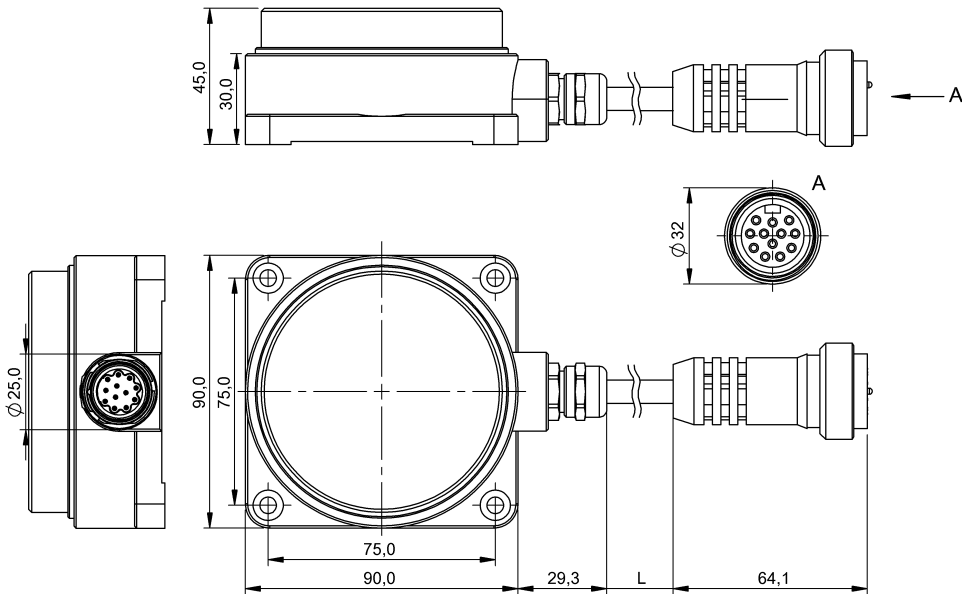


BIC 113-P2A30-Q90AA-GPX0B-Z04
Ordering code: BIC005Z

Inductive data coupler
90 x 90 x 45 mm

Output signal PNP

BALLUFF
sensors worldwide



Characteristic data

Type	Base
Working range	4...12 mm
Switching frequency f	60 Hz
Power indicator	Yes
InZone indicator	Yes
Short-circuit protected	Yes

Electrical data

Rated operating voltage Ue DC	24 V
Ripple max. (% of Ue)	±10 %
Switching output	PNP
Rated operating current Ie DC	100 mA
Current load per output max.	50 mA
(BB) Ready	20 ms
Stability	EN 61000-4-2/3/4/5/6
Number of outputs	

Mechanical data

Type of mounting	Non embeddable
Displacement	±7 mm

Connection type	Connector
Connector type	7/8"
Cable length	1 m
Cable jacket colour	black
Cable diameter D	7,7
Ambient temperature Ta min.	0 °C
Ambient temperature Ta max.	50 °C
Storage temperature min.	-25 °C
Storage temperature max.	75 °C
Housing material	Al
Sensing surface material	ABS / PBTP
Cable jacket material	PUR
Number of sockets or pins	12

Basic data

Enclosure Type per IEC 60529	IP67
Stability	EN 61000-4-2/3/4/5/6

Remarks

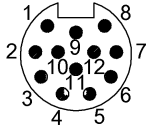
Operate Base device only with Remote devices BIC 213-P2A30-Q90AA-GPX0B-... !

BIC 113-P2A30-Q90AA-GPX0B-Z04
Ordering code: BIC005Z

Inductive data coupler
90 x 90 x 45 mm

Output signal PNP

BALLUFF
sensors worldwide



II, PIN 1: brown, PIN 11: light blue, PIN 2: red, PIN 3: orange, PIN 4: yellow, PIN 5: green, PIN 6: blue, PIN 7: violet, PIN 8: green/yellow, PIN 9: n.c., PIN 10: white, PIN 12: black

